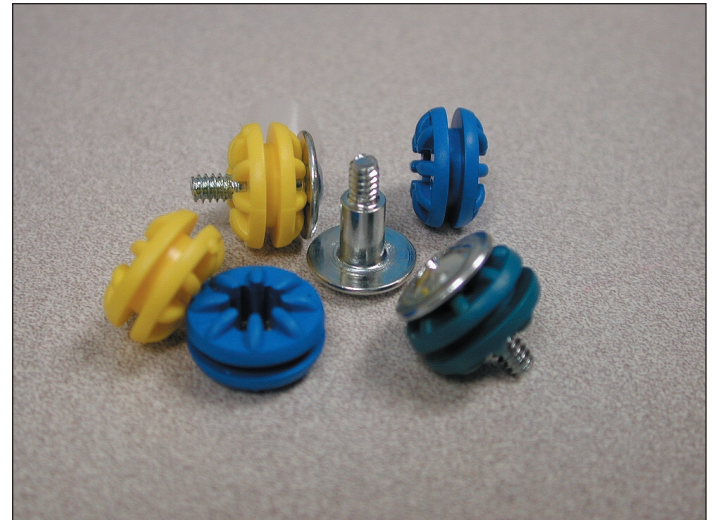


Combine E-A-R's new made-to-match shoulder bolts with our G-410 and G-411 grommet isolators and you'll get the precise recommended compression for your application. And you'll get other advantages as well.

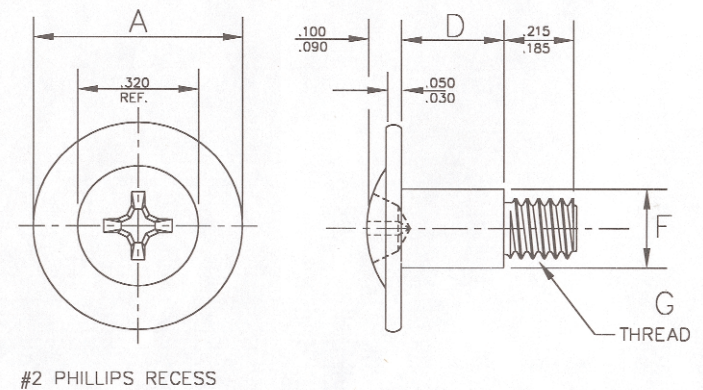
You'll also get rid of several pieces of hardware, such as a screw, ferrule and washer. Or even better, you'll eliminate the need to purchase an expensive machined fastener. In short, you can purchase all your hardware from one source.



Here's what we've got...

- #2 Phillips head
- 6-32 thread
- .20-inch thread length
- extra-large head—no need for a washer
- engineered for optimal grommet compression

If you are using E-A-R's G-411 grommets, you can purchase made-to-match shoulder bolts immediately. Just call our toll-free hotline below for pricing. Bolts complementary to G-410 grommets soon will be available, as well as other sizes and configurations of grommets.



Part #	Grommet	A Head ± .020	D Shoulder Length ± .005	F Shoulder ± .0025	G Thread
SB-4112	G-411	.500	.310	.194	6-32 UNC-2A
SB-4102	G-410	.350	.221	.163	6-32 UNC-2A